

Terminal Protection to IP20



Dims: to DIN 43880  
W. 17.5mm

**\*NEW\* 17.5mm DIN rail housing**

**Microprocessor based**

**True R.M.S. monitoring**

**Monitors own supply and detects if one or more phases exceed the set Under & Over voltage trip levels**

**Measures phase to phase voltages**

**Detects incorrect phase sequence and phase loss**

**Adjustments for Under and Over voltage trip levels**

**Adjustment for Time delay (from an Under or Over voltage condition)**

**1 x SPDT relay output 8A**

**Green LED indication for supply status**

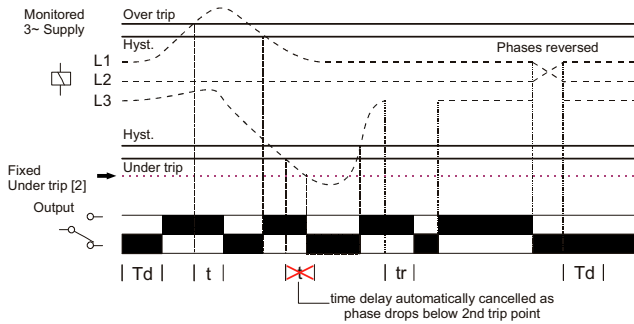
**Red LED indication for relay status**



ISO 9001:2015  
Cert. No. 1422571

### FUNCTION DIAGRAM

#### Under and Over Voltage Monitoring



### TECHNICAL SPECIFICATION

Supply/monitoring voltage	Un* (L1, L2, L3): 110, 208, 220, 380 <sup>1</sup> , 400 <sup>1</sup> , 415V <sup>1</sup> AC		
Frequency range:	48 – 63Hz		
Supply variation:	70 – 130% Un		
Overvoltage category:	III (IEC 60664)		
Rated impulse withstand voltage:	4kV (1.2/50µs) IEC 60664		
Power consumption (max.):	8VA		
Monitoring mode:	Under and Over voltage		
Trip levels:	Under [2]: 70% of Un (fixed) ± 2% Under: 75 – 95% of Un Over: 105 – 125% of Un		
Measuring ranges:	Under [2]	Under	Over
110V:	77V	83 – 105V	116 – 138V
208V:	146V	156 – 197V	218 – 260V
220V:	154V	165 – 209V	231 – 275V
380V:	266V	285 – 361V	399 – 475V
400V:	280V	300 – 380V	420 – 500V
415V:	290V	311 – 394V	436 – 519V

\* Please state Supply/monitoring voltage when ordering

Hysteresis:	≈ 2% of trip level (factory set)
Setting accuracy:	± 3%
Repeat accuracy:	± 0.5% at constant conditions
Immunity from micro power cuts:	<50mS
Response time:	≈ 50mS
Time delay (t):	0.2 – 10 sec. (± 5%) <i>Note: actual delay (t) = adjustable delay + response time</i>
Delay from Phase loss (tr):	≈ 150mS (worst case = tr x 2)
Power on delay (Td):	≈ 1 sec. (worst case = Td x 2)
Power on indication:	Green LED
Relay status indication:	Red LED
Ambient temp:	-20 to +60°C
Relative humidity:	+95%
Output (15, 16, 18):	SPDT relay
Output rating:	AC1 250V 8A (2000VA) AC15 250V 5A (no), 3A (nc) DC1 25V 8A (200W)
Electrical life:	≥ 150,000 ops at rated load
Dielectric voltage:	2kV AC (rms) IEC 60947-1
Rated impulse withstand voltage:	4kV (1.2/50µs) IEC 60664
Housing:	Orange flame retardant UL94
Weight:	75g
Mounting option:	On to 35mm symmetric DIN rail to BS EN 60715 or direct surface mounting via 2 x M3.5 or 4BA screws using the black clips provided on the rear of the unit.
Terminal conductor size	≤ 2 x 2.5mm <sup>2</sup> solid or stranded

### INSTALLATION AND SETTING



Installation work must be carried out by qualified personnel.

- BEFORE INSTALLATION, ISOLATE THE SUPPLY.
- Connect the unit as required. The Connection Diagram below shows a typical installation, whereby the supply to a load is being monitored by the Phase monitoring relay. If a fault should occur (i.e. fuse blowing), the relay will de-energise and assuming control of the external Contactor, de-energise the Contactor as well.

#### Applying power.

- Set the "Over %" ③ adjustment to maximum and the "Under %" ⑤ adjustment to minimum. Set the "Delay (t)" ④ to minimum.
- Apply power and the green "Power supply" ① and red "Relay" ② LED's will illuminate, the relay will energise and contacts 15 and 18 will close. Refer to the troubleshooting table if the unit fails to operate correctly.

#### Setting the unit (with power applied).

- Set the "Over %" and the "Under %" adjustments to give the required monitoring range.
- If large supply variations are anticipated, the adjustments should be set further from the nominal voltage.
- Set the "Delay (t)" adjustment as required. (Note that the delay is only effective should the supply increase above or drop below the set trip levels. However, if during an under voltage condition the supply drops below the 2<sup>nd</sup> under voltage trip level, any set time delay is automatically cancelled and the relay de-energises).

Note: If the supply voltage increases above the maximum "Over %" trip setting by approx. 5% or more, the relay will de-energise immediately.

#### Troubleshooting.

The table below shows the status of the unit during a fault condition.

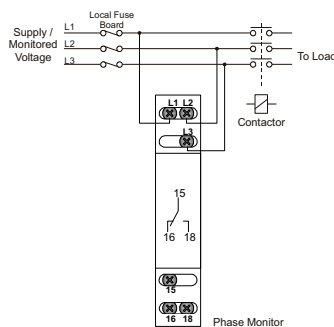
Supply fault	Green LED	Red LED	Relay
Phase missing	On	Off	De-energised
Phases reversed (no delay)	Flashing	Off	De-energise
Under or Over Voltage condition (during timing)	On	Flashing	Energised for set delay (t)
Under or Over Voltage condition (after timing)	On	On	De-energised
Phase below 70% of Un (fixed under trip level [2])	On	Off	De-energised



IND. CONT. EQ. E111187

CE : RoHS Compliant.  
EMC: Immunity: EN 61000-6-2 (EN 61000-4-3 15V/m 80MHz - 2.7GHz)  
Emissions: EN 61000-6-4

### CONNECTION DIAGRAM



### SETTING DETAILS

- Power supply status (Green) LED
- Relay output / Timing status (Red) LED
- Over % trip level adjustment
- Delay adjustment
- Under % trip level adjustment

scaled as % of the nominal voltage "Un"



### DIMENSIONS

