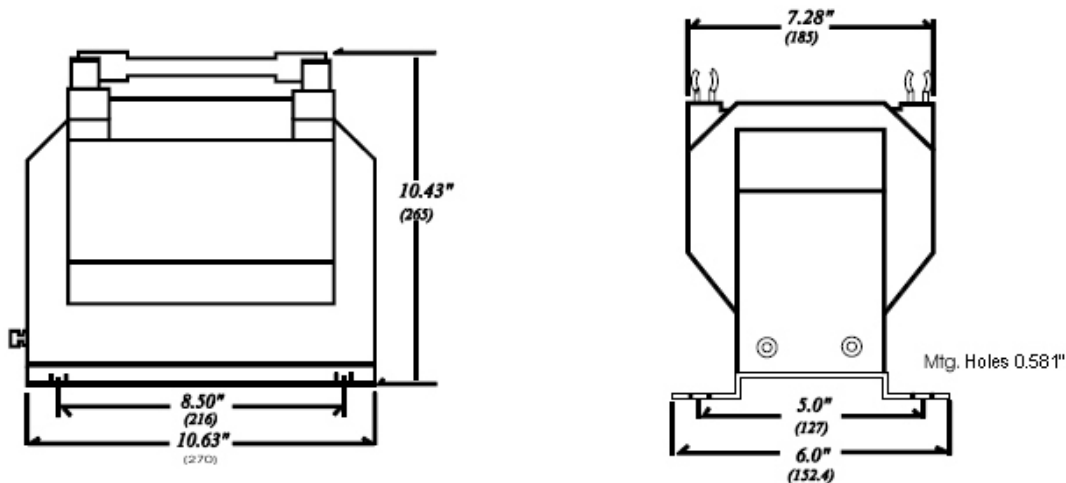


**Power Transformers**

Continuous Thermal Rating: 1KVA at 30°C. amb.;  
0.8KVA at 55°C. amb. Average.  
Standard secondary voltage: 120vac.

Insulation Class: 5 kV. max., 60kV BIL full wave.  
Indoor.  
Frequency: 60Hz



To order, please complete the model number with the appropriate suffix.  
eg. CPT5K-60-1-7200

- ▶ All ratios are designed for 60 Hz operation except where noted.
- ▶ Use of a 2E type fuse in the primary is recommended.
- ▶ Thermal burden ratings are for 120V secondaries.
- ▶ Recommended minimum spacing requirements must be adhered to or optional cover must be used.
- ▶ Fully encapsulated under vacuum using a 35 Kv epoxy resin.
- ▶ Tested for partial discharge to IEC Standards.

**Model nbr.**

**CPT5K-60-1**

**CPT5K-60-2**

**CPT5K-60-3**

Catalogue nbr. Suffix	Ratio	Primary Voltage	Secondary Voltage	Thermal Rating
-2400	20:1	2400	120	1.0KVA
⊗ -3300	30:1	3300	110	0.8KVA
-4160	34.7:1	4160	120	1.0KVA
-4800	40:1	4800	120	1.0KVA
⊗ -6600	60.7:1	6600	110	0.6KVA
-7200	60:1	7200	120	0.6KVA
-2400	20:1	2400	120/240	2.0KVA
-3300	30:1	3300	120/240	1.8KVA
-4160	34.7:1	4160	120/240	2.0KVA
-4800	40:1	4800	120/240	2.0KVA
-2400	20:1	2400	120/240	3.0KVA
-4160	34.7:1	4160	120/240	3.0KVA
-4800	40:1	4800	120/240	3.0KVA

⊗ Specifically designed for 50Hz operation and 110vac secondary volts.