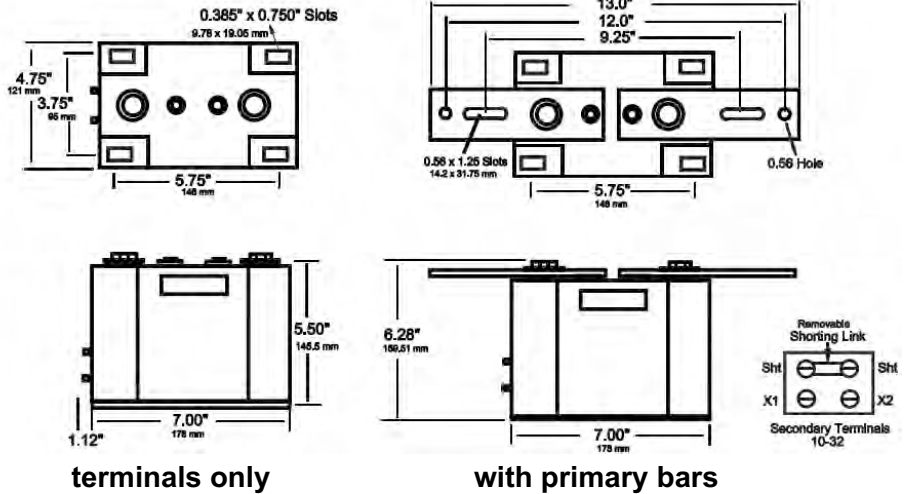


5kV Current Transformers

Relay Class: T50
Continuous Thermal Rating: 1.33 at 30 C. amb.;
1.00 at 55 C. amb.

Application: Ammeters and Wattmeters and Relays.
Max. System Voltage: 5.6 kV. BIL 60kV. full wave 50-400 Hz.
Indoor type.



terminals only

with primary bars

To order, please complete the model number with the appropriate suffix.
eg. CTW3E-100

Primary Bus Bar kit: CTW3E-BB-xxx
please replace xxx with primary current
eg. 030 for 30A primary

- ▶ Manufactured to meet the requirements of ANSI / IEEE C57.13.
- ▶ Vacuum cast in epoxy.
- ▶ Approximate weight 20 lb.
- ▶ Additional ratios available.
- ▶ Secondary terminals: 10-32
- ▶ Primary terminals: 3/8"-16 up to 300 amps
1/2"-13 up to 600 amps

Model nbr.	Catalogue nbr. Suffix	Current Ratio	ANSI Metering Class @ 60Hz					Thermal Current Rating 1 sec RMS amps
			BO.1	BO.2	BO.5	BO.9	B1.8	
CTW3E	-10	10:5	0.3	0.3	0.3	0.6	1.2	1000
	-20	20:5	0.3	0.3	0.3	0.6	1.2	1900
	-25	25:5	0.3	0.3	0.3	0.6	1.2	2700
	-30	30:5	0.3	0.3	0.3	0.6	1.2	2700
	-40	40:5	0.3	0.3	0.3	0.6	1.2	4700
	-50	50:5	0.3	0.3	0.3	0.6	1.2	4700
	-75	75:5	0.3	0.3	0.3	0.6	1.2	8600
	-100	100:5	0.3	0.3	0.3	0.6	1.2	8600
	-150	150:5	0.3	0.3	0.3	0.6	1.2	14400
	-200	200:5	0.3	0.3	0.3	0.6	1.2	17250
	-250	250:5	0.3	0.3	0.3	0.6	1.2	17250
	-300	300:5	0.3	0.3	0.3	0.6	1.2	37800
	-400	400:5	0.3	0.3	0.3	0.6	1.2	37800
	-500	500:5	0.3	0.3	0.3	0.6	1.2	37800
	-600	600:5	0.3	0.3	0.3	0.6	1.2	37800

≡≡≡ Z-TRAUQ INC. ≡≡≡

Model C8.6 Current Transformer
Maximum System Voltage 5.6kV, BIL 60kV full wave



- UL and cUL Recognized
- As per ANSI/IEEE C57.13, IEC, OR relevant standard

TABLES:

Catalog Number	Current Ratio	Accuracy (60 Hz)					
		Relay Class	ANSI metering Class				
			B0.1	B0.2	B0.5	B0.9	B1.8
C8.6-050	5:5	T50	0.3	0.3	0.3	0.6	1.2
C8.6-100	10:5	T50	0.3	0.3	0.3	0.6	1.2
C8.6-150	15:5	T50	0.3	0.3	0.3	0.6	1.2
C8.6-200	20:5	T50	0.3	0.3	0.3	0.6	1.2
C8.6-250	25:5	T50	0.3	0.3	0.3	0.6	1.2
C8.6-300	30:5	T50	0.3	0.3	0.3	0.6	1.2
C8.6-400	40:5	T50	0.3	0.3	0.3	0.6	1.2
C8.6-500	50:5	T50	0.3	0.3	0.3	0.6	1.2
C8.6-750	75:5	T50	0.3	0.3	0.3	0.6	1.2
C8.6-101	100:5	T50	0.3	0.3	0.3	0.6	1.2
C8.6-151	150:5	T50	0.3	0.3	0.3	0.6	1.2
C8.6-201	200:5	T50	0.3	0.3	0.3	0.6	1.2
C8.6-251	250:5	T50	0.3	0.3	0.3	0.6	1.2
C8.6-301	300:5	T50	0.3	0.3	0.3	0.6	1.2
C8.6-401	400:5	T50	0.3	0.3	0.3	0.6	1.2
C8.6-501	500:5	T50	0.3	0.3	0.3	0.6	1.2
C8.6-601	600:5	T50	0.3	0.3	0.3	0.6	1.2

INSULATION LEVEL

5.6 kV, BIL 60 kV full wave

FREQUENCY

50-400 Hz

CONTINUOUS THERMAL CURRENT RATING FACTOR

1.5 @ 30 deg. C ambient

1.33 @ 55 deg. C ambient

OUTER ENCAPSULATION

Polyurethane/Epoxy Resin Encapsulated

SECONDARY TERMINALS

10-32 Brass screw with one flat washer and lock washer

APPROX. WEIGHT

20 lbs;

PLATED STEEL MOUNTING BASE

Mounting holes/dimensions as per customer requirement at no additional cost

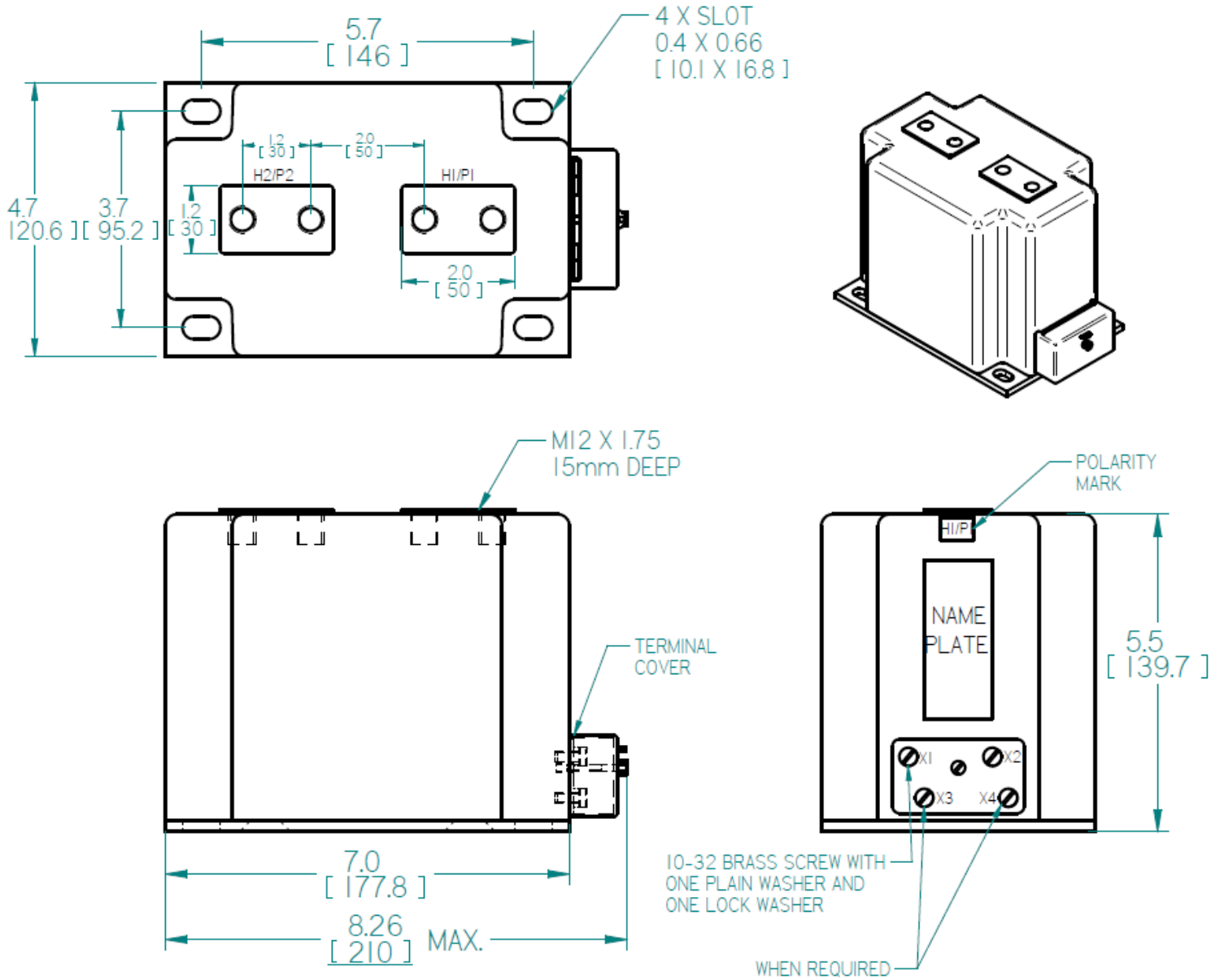
CUSTOM OPTIONS (CONTACT US)

- Different Ratios, Accuracies
- Non-standard thermal rating
- Different encapsulation
- Different secondary termination
- Special mounting needs etc.

Z-TRAUQ INC.

Model C8.6 Current Transformer
Maximum System Voltage 5.6kV, BIL 60kV full wave

DIMENSIONS:



All dimensions are in inches [mm]

≡≡≡ Z-TRAUQ INC. ≡≡≡

Model C8.7 Medium Voltage Current Transformer
Maximum System Voltage 5.6kV, BIL 60kV full wave



- **UL and cUL Recognized**
- **As per ANSI/IEEE C57.13, IEC, or relevant standard**

TABLES:

Catalog Number	Current Ratio	Accuracy (60 Hz)					
		Relay Class	ANSI metering Class				
			B0.1	B0.2	B0.5	B0.9	B1.8
C8.7-050	5:5	T100	0.3	0.3	0.3	0.6	1.2
C8.7-100	10:5	T100	0.3	0.3	0.3	0.6	1.2
C8.7-150	15:5	T100	0.3	0.3	0.3	0.6	1.2
C8.7-200	20:5	T100	0.3	0.3	0.3	0.6	1.2
C8.7-250	25:5	T100	0.3	0.3	0.3	0.6	1.2
C8.7-300	30:5	T100	0.3	0.3	0.3	0.6	1.2
C8.7-400	40:5	T100	0.3	0.3	0.3	0.6	1.2
C8.7-500	50:5	T100	0.3	0.3	0.3	0.6	1.2
C8.7-750	75:5	T100	0.3	0.3	0.3	0.6	1.2
C8.7-101	100:5	T100	0.3	0.3	0.3	0.6	1.2
C8.7-151	150:5	T100	0.3	0.3	0.3	0.6	1.2
C8.7-201	200:5	T100	0.3	0.3	0.3	0.6	1.2
C8.7-251	250:5	T100	0.3	0.3	0.3	0.6	1.2
C8.7-301	300:5	T100	0.3	0.3	0.3	0.6	1.2
C8.7-401	400:5	T100	0.3	0.3	0.3	0.6	1.2
C8.7-601	600:5	T100	0.3	0.3	0.3	0.3	0.3
C8.7-801	800:5	T100	0.3	0.3	0.3	0.3	0.3
C8.7-102	1000:5	T100	0.3	0.3	0.3	0.3	0.3
C8.7-122	1200:5	T100	0.3	0.3	0.3	0.3	0.3

INSULATION LEVEL
5.6 kV, BIL 60 kV full wave

FREQUENCY
50-400 Hz

CONTINUOUS THERMAL CURRENT RATING FACTOR
1.5 @ 30 deg. C ambient
1.33 @ 55 degC ambient

OUTER ENCAPSULATION
Polyurethane/Epoxy Resin Encapsulated

PRIMARY TERMINALS
Primary terminals are plated copper bars.

SECONDARY TERMINALS
10-32 Brass screw with one flat washer and lock washer

APPROX. WEIGHT
41 lbs;

PLATED STEEL MOUNTING BASE
Mounting holes/dimensions as per customer requirement at no additional cost

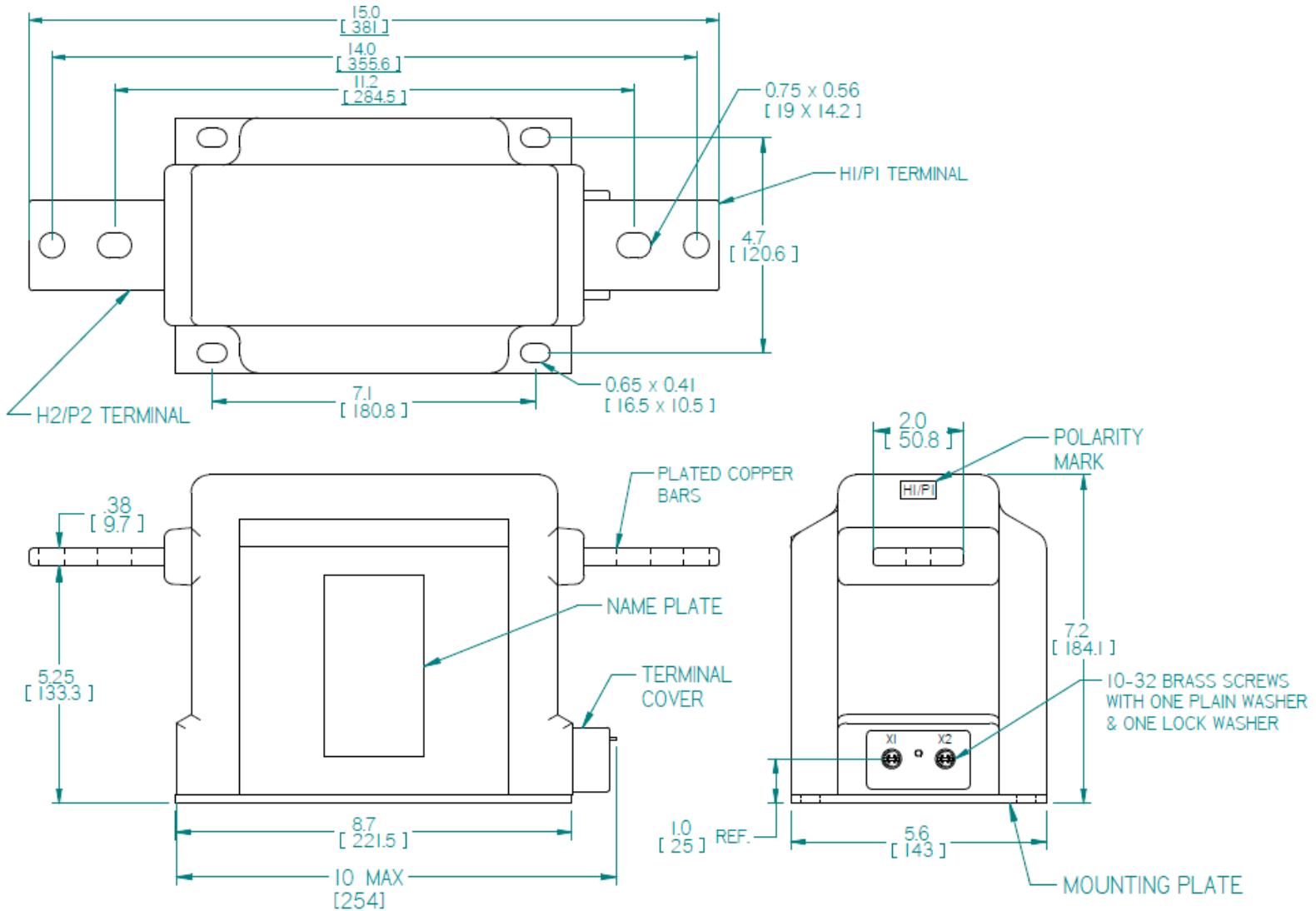
CUSTOM OPTIONS (CONTACT US)

- Different Ratios, Accuracies
- Non-standard thermal rating
- Different encapsulation
- Different secondary termination
- Special mounting needs etc.

≡≡≡ Z-TRAUQ INC. ≡≡≡

Model C8.7 Medium Voltage Current Transformer
Maximum System Voltage 5.6kV, BIL 60kV full wave

DIMENSIONS:



All dimensions are in inches [mm]