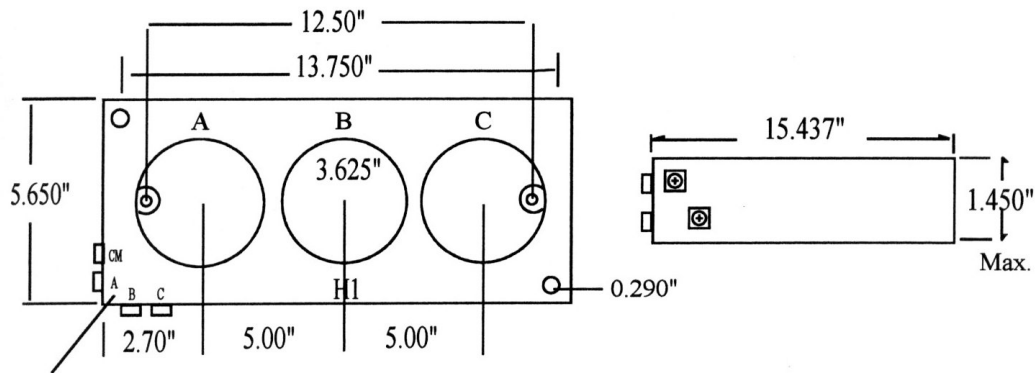


THREE PHASE
Current Transformers

Window Diameter: 3.625"
Continuous Thermal Rating: 1.33 at 30 C. amb.;
1.0 at 55 C. amb. Average.

Application: Ammeters and Wattmeters and Relays.
Insulation Class: 0.6 kV. BIL 10kV. full wave 50-400 Hz.
Fully encapsulated.

Standard 5 amp secondary, others available.



Terminal markings on both H1 & H2 sides

Model nbr.
CT3P3650

To order, please complete the model number with the appropriate suffix.
eg. CT3P3650-600

Catalogue nbr. Suffix	Current Ratio	VA for $\pm 1\%$ Class	ANSI Metering Class @ 60Hz			
			BO.1	BO.2	BO.5	BO.9
-100	100:5	1.2	-	-	-	-
-150	150:5	2.5	2.4	-	-	-
-200	200:5	5.0	1.2	2.4	-	-
-250	250:5	7.0	0.6	1.2	2.4	-
-300	300:5	7.0	0.6	0.6	1.2	2.4
-400	400:5	10.0	0.3	0.6	1.2	2.4
-500	500:5	10.0	0.3	0.3	0.6	1.2
-600	600:5	10.5	0.3	0.3	0.3	1.2
-750	750:5	12.5	0.3	0.3	0.6	1.2
-800	800:5	12.5	0.3	0.3	0.6	0.6
-1000	1000:5	12.5	0.3	0.3	0.3	0.6
-1200	1200:5	15.0	0.3	0.3	0.3	0.3
-1500	1500:5	15.0	0.3	0.3	0.3	0.3
-1600	1600:5	15.0	0.3	0.3	0.3	0.3
-2000	2000:5	15.0	0.3	0.3	0.3	0.3
-2500	2500:5	10.0	0.3	0.3	0.6	0.6
-3000	3000:5	10.0	0.3	0.3	0.6	0.6

- ▶ Terminals are brass No. 10-32 UNC.
- ▶ Approximate weight 7.0 lb.
- ▶ Additional ratios available.
- ▶ NOTE: 1500:5 and up have a Rf of 1@ 30°C amb.