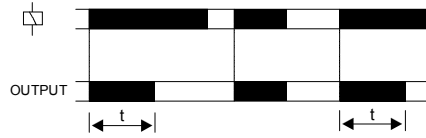
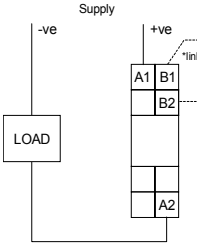
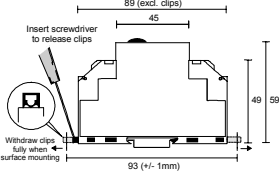
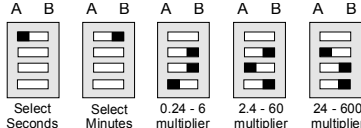
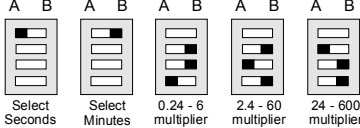
	<p>FUNCTION DIAGRAM GRAPHIQUE DE FONCTIONNEMENT</p> 	<p>CONNECTION DIAGRAM DIAGRAMME DE RACCORDEMENT</p> <p>Link terminals 'B1' and 'B2' for 10.5 - 30V AC/DC operation only. Relier ensemble les bornes 'B1' et 'B2' seulement pour des tensions 10.5 - 30 VCA/CC.</p> 	<p>MOUNTING DETAILS INSTRUCTIONS DE MONTAGE</p>  <p>Width / largeur 17.5 mm (DIN 43880)</p>
---	---	---	--

- | | |
|--|--|
| <ul style="list-style-type: none"> <input type="checkbox"/> INTERVAL - SUPPLY INITIATED <input type="checkbox"/> MULTI TIME RANGE <input type="checkbox"/> SOLID STATE THYRISTOR OUTPUT <input type="checkbox"/> MULTI VOLTAGE: 10.5 - 265V AC/DC <input type="checkbox"/> DIN RAIL OR DIRECT MOUNTING | <ul style="list-style-type: none"> <input type="checkbox"/> RETOMBÉE TEMPORISÉE <input type="checkbox"/> MULTIGAMME <input type="checkbox"/> SORTIE TRIAC À SEMI-CONDUCTEURS <input type="checkbox"/> MULTITENSION: 10.5 - 265V CA/CC <input type="checkbox"/> MONTAGE SUR RAIL DIN OU PLATINE |
|--|--|

<p>• INSTALLATION AND SETTING</p> <ul style="list-style-type: none"> • BEFORE INSTALLATION, ISOLATE THE SUPPLY. • Connect the unit as shown in the diagram above. • Apply power. • Unit will operate according to function selected (see 'function diagram'). <p style="text-align: center;">Time Delay</p>  <p style="text-align: center;">Troubleshooting</p> <ul style="list-style-type: none"> • Check wiring and voltage present. 	<p>• MONTAGE ET INSTALLATION</p> <ul style="list-style-type: none"> • AVANT MONTAGE, ISOLER L'ALIMENTATION • Raccorder comme indiqué dans le diagramme ci-dessus. • Appliquer l'alimentation. • L'unité opérera selon la fonction choisie (voir 'Graphique de fonctionnement'). <p style="text-align: center;">Gamme de temps</p>  <p style="text-align: center;">Dépannage (pour régler un problème)</p> <ul style="list-style-type: none"> • Vérifier les connexions et la tension présente.
---	--

<p>• TECHNICAL SPECIFICATION</p> <table style="width: 100%; border: none;"> <tr> <td style="width: 30%;">Supply voltage U:</td> <td>10.5 - 265V AC/DC</td> </tr> <tr> <td>Time delay (t):</td> <td>(user selectable)</td> </tr> <tr> <td style="padding-left: 20px;">Sec:</td> <td>0.24 - 6, 2.4 - 60, 24 - 600</td> </tr> <tr> <td style="padding-left: 20px;">Min:</td> <td>0.24 - 6, 2.4 - 60, 24 - 600</td> </tr> <tr> <td>Repeat accuracy:</td> <td>± 0.5% (constant conditions)</td> </tr> <tr> <td>Reset time:</td> <td>≈ 100mS</td> </tr> <tr> <td>Ambient temperature:</td> <td>-20 to +60°C</td> </tr> <tr> <td>Relative humidity:</td> <td>+95%</td> </tr> <tr> <td>Load current:</td> <td>700mA</td> </tr> <tr> <td>Leakage current:</td> <td>≤ 5mA</td> </tr> <tr> <td>Housing:</td> <td>to UL94 VO</td> </tr> <tr> <td>Weight:</td> <td>≈ 60g</td> </tr> <tr> <td>Mounting option:</td> <td>to BS5584:1978 (EN50 002, DIN 46277-3)</td> </tr> <tr> <td>Terminal conductor size:</td> <td>≤ 2 x 2.5mm² solid / stranded</td> </tr> <tr> <td>Approvals:</td> <td>UL, CUL, CSA, CE</td> </tr> </table>	Supply voltage U:	10.5 - 265V AC/DC	Time delay (t):	(user selectable)	Sec:	0.24 - 6, 2.4 - 60, 24 - 600	Min:	0.24 - 6, 2.4 - 60, 24 - 600	Repeat accuracy:	± 0.5% (constant conditions)	Reset time:	≈ 100mS	Ambient temperature:	-20 to +60°C	Relative humidity:	+95%	Load current:	700mA	Leakage current:	≤ 5mA	Housing:	to UL94 VO	Weight:	≈ 60g	Mounting option:	to BS5584:1978 (EN50 002, DIN 46277-3)	Terminal conductor size:	≤ 2 x 2.5mm ² solid / stranded	Approvals:	UL, CUL, CSA, CE	<p>• FICHES TECHNIQUES</p> <table style="width: 100%; border: none;"> <tr> <td style="width: 30%;">Alimentation:</td> <td>10.5 - 265V CA/CC</td> </tr> <tr> <td>Gamme de temps (t):</td> <td>(choix de l'utilisateur)</td> </tr> <tr> <td style="padding-left: 20px;">Sec:</td> <td>0.24 - 6, 2.4 - 60, 24 - 600</td> </tr> <tr> <td style="padding-left: 20px;">Min:</td> <td>0.24 - 6, 2.4 - 60, 24 - 600</td> </tr> <tr> <td>Précision répétée:</td> <td>± 0.5% (condition constante)</td> </tr> <tr> <td>Réarmement:</td> <td>≈ 100mS</td> </tr> <tr> <td>Température ambiante:</td> <td>-20 à +60°C</td> </tr> <tr> <td>Humidité relative:</td> <td>+95%</td> </tr> <tr> <td>Courant de charge:</td> <td>700mA</td> </tr> <tr> <td>Courant de fuite:</td> <td>≤ 5mA</td> </tr> <tr> <td>Boîtier:</td> <td>UL94 VO</td> </tr> <tr> <td>Poids:</td> <td>≈ 60g</td> </tr> <tr> <td>Option de montage:</td> <td>BS5584:1978 (EN50 002, DIN 46277-3)</td> </tr> <tr> <td>Calibre du conducteur:</td> <td>≤ 2 x 2.5mm² solide/toronné</td> </tr> <tr> <td>Homologations:</td> <td>UL, CUL, CSA, CE</td> </tr> </table>	Alimentation:	10.5 - 265V CA/CC	Gamme de temps (t):	(choix de l'utilisateur)	Sec:	0.24 - 6, 2.4 - 60, 24 - 600	Min:	0.24 - 6, 2.4 - 60, 24 - 600	Précision répétée:	± 0.5% (condition constante)	Réarmement:	≈ 100mS	Température ambiante:	-20 à +60°C	Humidité relative:	+95%	Courant de charge:	700mA	Courant de fuite:	≤ 5mA	Boîtier:	UL94 VO	Poids:	≈ 60g	Option de montage:	BS5584:1978 (EN50 002, DIN 46277-3)	Calibre du conducteur:	≤ 2 x 2.5mm ² solide/toronné	Homologations:	UL, CUL, CSA, CE
Supply voltage U:	10.5 - 265V AC/DC																																																												
Time delay (t):	(user selectable)																																																												
Sec:	0.24 - 6, 2.4 - 60, 24 - 600																																																												
Min:	0.24 - 6, 2.4 - 60, 24 - 600																																																												
Repeat accuracy:	± 0.5% (constant conditions)																																																												
Reset time:	≈ 100mS																																																												
Ambient temperature:	-20 to +60°C																																																												
Relative humidity:	+95%																																																												
Load current:	700mA																																																												
Leakage current:	≤ 5mA																																																												
Housing:	to UL94 VO																																																												
Weight:	≈ 60g																																																												
Mounting option:	to BS5584:1978 (EN50 002, DIN 46277-3)																																																												
Terminal conductor size:	≤ 2 x 2.5mm ² solid / stranded																																																												
Approvals:	UL, CUL, CSA, CE																																																												
Alimentation:	10.5 - 265V CA/CC																																																												
Gamme de temps (t):	(choix de l'utilisateur)																																																												
Sec:	0.24 - 6, 2.4 - 60, 24 - 600																																																												
Min:	0.24 - 6, 2.4 - 60, 24 - 600																																																												
Précision répétée:	± 0.5% (condition constante)																																																												
Réarmement:	≈ 100mS																																																												
Température ambiante:	-20 à +60°C																																																												
Humidité relative:	+95%																																																												
Courant de charge:	700mA																																																												
Courant de fuite:	≤ 5mA																																																												
Boîtier:	UL94 VO																																																												
Poids:	≈ 60g																																																												
Option de montage:	BS5584:1978 (EN50 002, DIN 46277-3)																																																												
Calibre du conducteur:	≤ 2 x 2.5mm ² solide/toronné																																																												
Homologations:	UL, CUL, CSA, CE																																																												