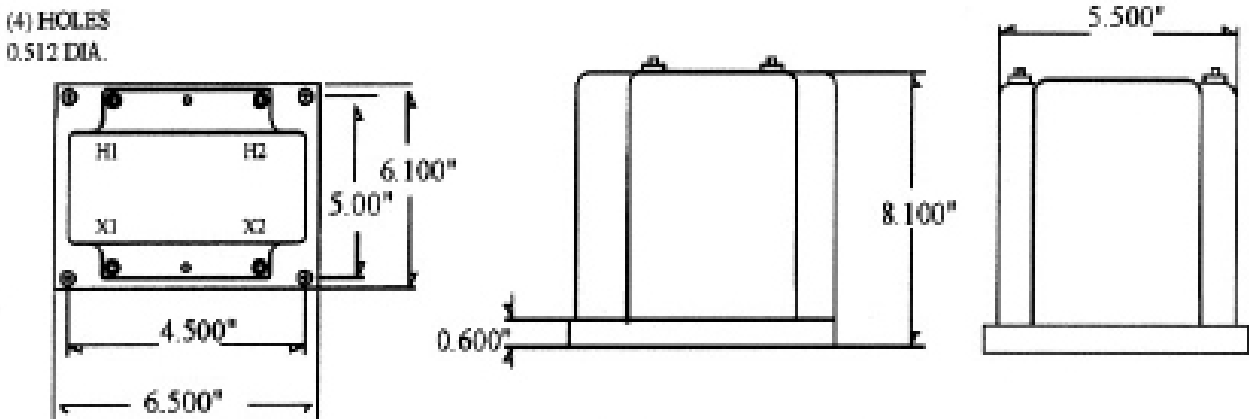


Potential Transformers

Continuous Thermal Rating: 500VA at 30°C. amb.;
300VA at 55°C. amb.

Insulation Class: 0.6 kV. BIL 10kV. full wave 60 Hz.
Fully encapsulated.

Standard 120VAC secondary.
Accuracy: 0.3W X & M, 0.6 Y at 60Hz



To order, please complete the model number with the appropriate suffix.
eg. PT500-5

Model nbr.
PT295

| Catalogue nbr. Suffix | Ratio | Primary Voltage |
|-----------------------|--------|-----------------|
| -0.58 | 0.58:1 | 69.4 |
| -1 | 1:1 | 120 |
| -1.73 | 1.73:1 | 208 |
| -2 | 2:1 | 240 |
| -2.4 | 2.4:1 | 288 |
| -2.5 | 2.5:1 | 300 |
| -4 | 4:1 | 480 |
| -5 | 5:1 | 600 |

- ▶ Terminals are brass no. 10-32
- ▶ Use of a 5 amp fuse in the secondary is recommended.
- ▶ Optional fusing for line-to-line or line-to-neutral connection is available.
- ▶ Approximate weight is 19 lb.
- ▶ ANSI C57.13 group 1