

## FEATURES

- Large 3 digits display
- Use with any J or K type thermocouple or RTD (2 or 3 wire PT100)
- ON/OFF control form
- Adjustable hysteresis
- Cold junction compensation
- Sensor break protection



**ESM-9910**  
96x96 DIN 1/4



**ESM-7710**  
72x72 DIN 1/8



**ESM-4410**  
48x48 DIN 1/16

## SPECIFICATIONS:

### PROCESS INPUT

Input Types : Thermocouple (TC): J,K  
Thermoresistances (RTD): PT 100 (2/3wires)  
Measuring Range: 

Input Type	Range
J	0 - 800°C 32 - 999°F
K	0 - 900°C 32 - 999°F
Pt100	-19.9 - 400°C

Accuracy: ± 1.0% FS  
Cold Junction Compensation: Automatically ±0.1°C/1°C  
Sensor Break Protection: Within the operating scale  
Sampling Cycle: 3 samples per second

### CONTROL

Control Form: ON/OFF

### OUTPUT

Standard Relay Output: 7A@250Vac (Control or Alarm)  
2nd relay output available only on 7710 and 9910 models

### DISPLAY

Process Display: 10 mm Red 3 digits LED display  
LED indicators: SV1/2(Set Value),  
OP1/2(Outputs),  
Program

### SUPPLY

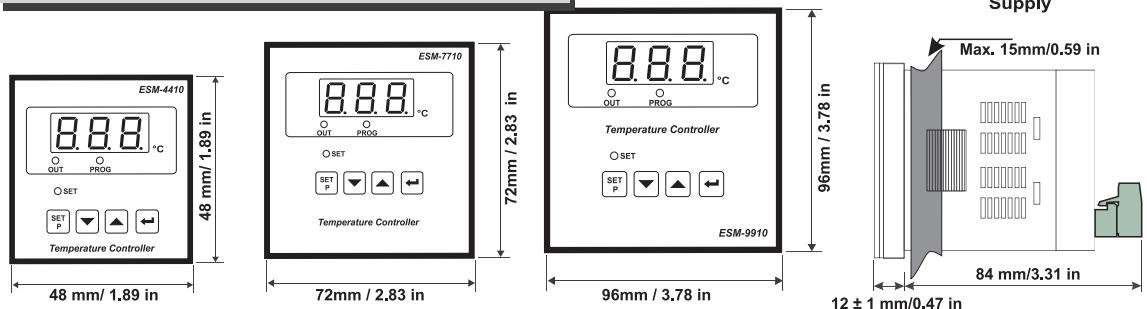
Power Supply: 24vac, 110vac, 220vac all ±15% 50/60Hz  
Power Consumption: Maximum 2VA

### CONDITIONS and SPECIFICATIONS

Approvals: cURus, CE compliant.  
Operating Temperature: 0 to 50°C  
Humidity : 0 to 90%RH (non condensing)  
Protection Class: NEMA 4X (IP65) front, IP20 rear  
Weight: 156/210/275 gr.  
Dimensions:

ESM 4410: 48 x 48mm, Depth:86 mm (1/16 DIN)  
ESM 7710: 72 x 72mm, Depth:86 mm (1/8 DIN)  
ESM 9910: 96 x 96mm, Depth:86 mm (1/4 DIN)

## DIMENSIONS



## ORDERING INFORMATION

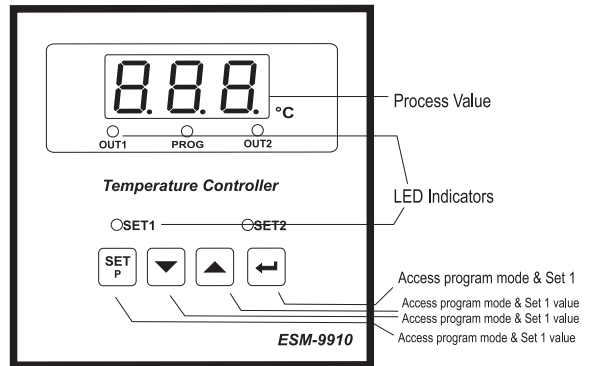
ESM-4410 -- 01/00.00  
ESM-7710 -- 01/01.00  
ESM-9910 -- 01/01.00

Please insert supply voltage and input codes to complete model number.

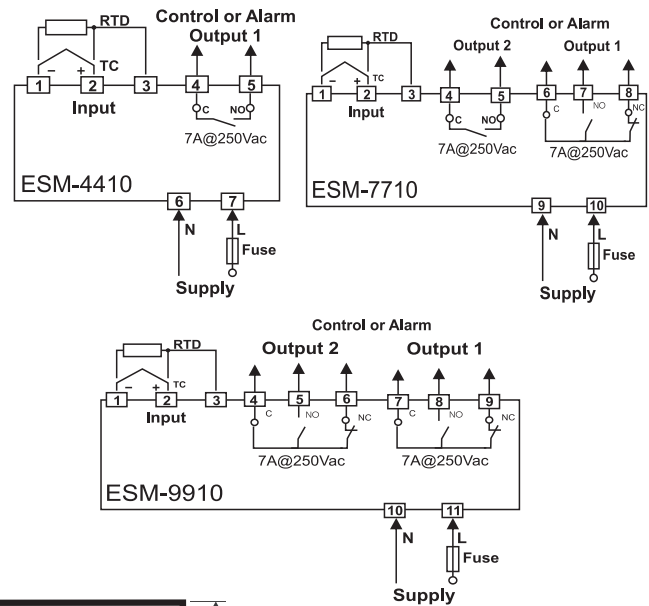
Supply Voltage	Input	Scale
24Vac 50/60Hz	3	09 PT100 -19.9 to 99.9°C
110Vac 50/60Hz	4	03 PT100 0 to 400°C
220Vac 50/60Hz	5	05 J 0 to 800°C
Custom (please specify)	9	10 K 0 to 999°C

Fahrenheit scale: 32 - 999°F change to 06

## FRONT PANEL DESCRIPTION



## ELECTRICAL CONNECTIONS



WE also offer a complete range of THERMOCOUPLES & RTDs

