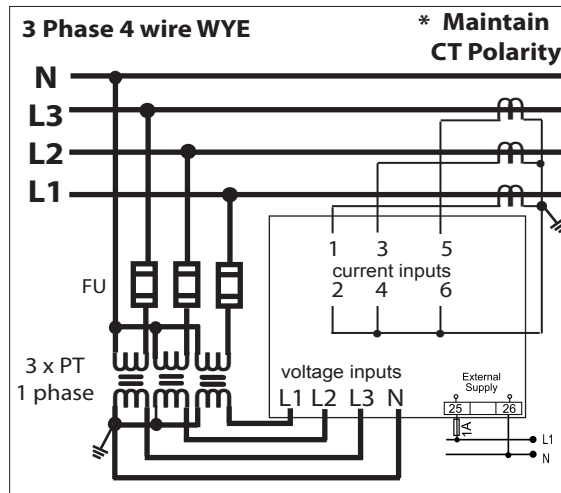
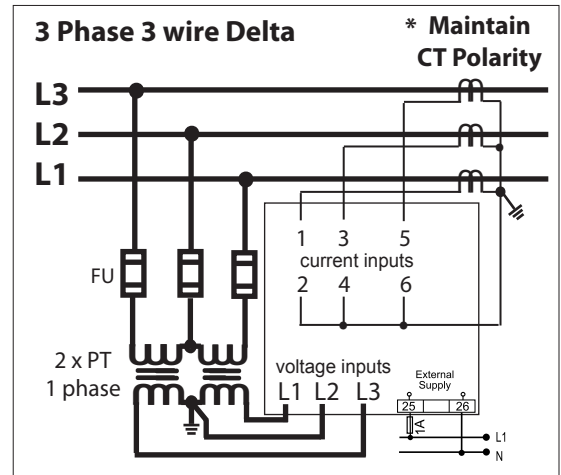
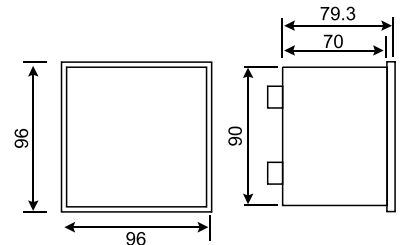


When potential transformers are used

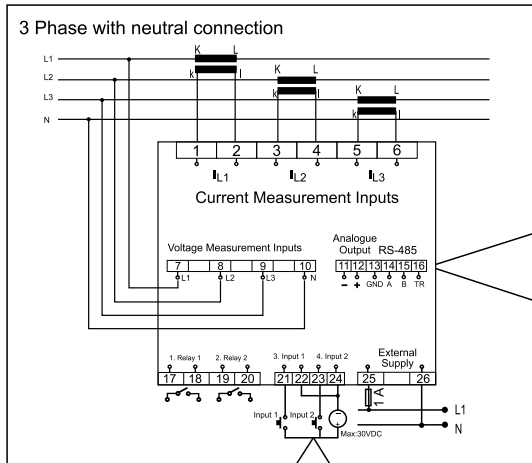


Dimensions

(PR19- 96x96mm)



TYPE PR 19



Valid for;
MPR63-20 MPR60S-20
MPR63-21 MPR60S-21
MPR63-40, MPR60S-40
MPR63-41 MPR60S-41

Analogue Output RS-485

11 12 13 14 15 16

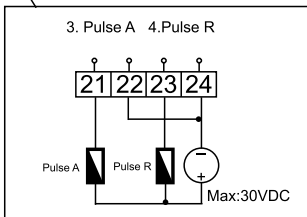
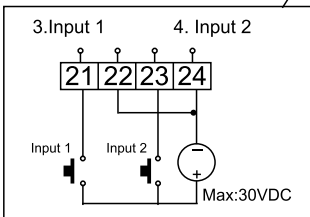
- + GND A B TR

RS-485

11 12 13 14 15 16

GND A B TR

Valid for;
MPR63 MPR60S
MPR63-10 MPR60S-10



Valid for;
MPR63-10 MPR60S-10
MPR63-20 MPR60S-20
MPR63-40 MPR60S-40

Valid for;
MPR63 MPR60S
MPR63-21 MPR60S-21
MPR63-41 MPR60S-41

