

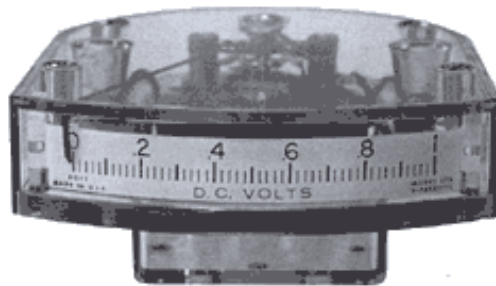
HOYT 2-1/2" Edgewise Meters

Model 673/S

HOYT edgewise meters have high visibility scales and straightforward design that make them especially suited to small, limited space, rack mounted power supplies and allied equipment. Supplied bezel and mounting hardware enable quick, trouble-free installation.

has a small projection required to enclose the D'Arsonval movement. It is also available in DC ranges and in AC rectifier and VU models.

MODEL 673/S



Model 685 2-1/2"

edgewise has been designed without any barrel projection and is fully shielded to allow vertical and horizontal stacking without interaction between movements or other external magnetic fields. The specially engineered, rugged D'Arsonval movement with high torque to weight ratio provides excellent response and damping characteristics. The 685 is offered in DC, AC rectifier type and VU meter versions.

Please specify when ordering as 685-1, 685-2 or 685-3.

MODEL 685



685-1



685-2

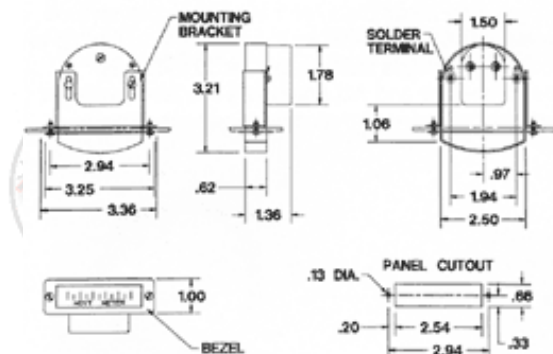


685-3

HOYT 2-1/2 Edgewise Meters

Dimensions

MODEL 673/S



MODEL 685

BEZEL UNITS 1, 2 & 3

