



The device has been designed to measure the voltage of a DC system.

- Wide supply range, 85-265 VAC/DC(DCV-10), 10-56 VDC (DCV-11)
- **Communication with MODBUS RTU protocol over RS485 line**
- Saves maximum and minimum values
- Easy access to settings and best view under any lighting condition with the help of backlit LCD screen
- Adjustable measurement period between 1 and 600 seconds

## PRODUCT SELECTION TABLE

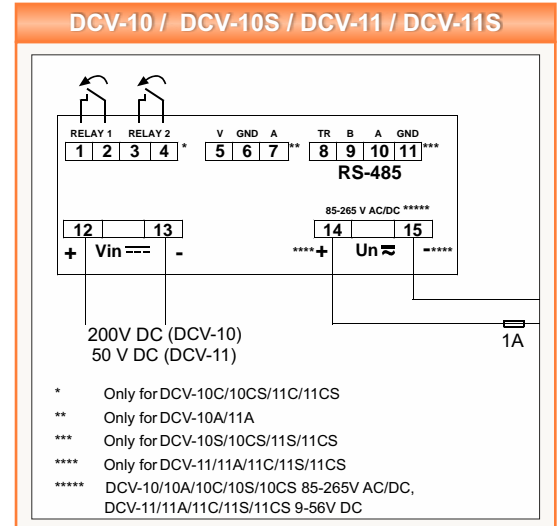
Product Code	Voltage	Max. Value	Min. Value	Output Contact	RS-485 Communication	Analog Output (0/2 - 10V) (0/4 - 20mA)	85-265V AC/DC	10-56 VDC	Pcs. / Box
DCV-10	●	●	●				●		20
DCV-10A	●	●	●			○	●		20
DCV-10S	●	●	●		●		●		20
DCV-10C	●	●	●	●			●		20
DCV-10CS	●	●	●	●	●		●		20
DCV-11	●	●	●					●	20
DCV-11A	●	●	●			○		●	20
DCV-11S	●	●	●		●			●	20
DCV-11C	●	●	●	●				●	20
DCV-11CS	●	●	●	●	●			●	20

○ Programmable

## SPECIFICATIONS

	DCV-10	DCV-10S	DCV-11S	DCV-11
<b>ENCLOSURE</b>				
Dimensions	PR 20 48x96 mm			
Protection Class	IP 40			
Weight	0,240 kg			
Display	2.5" LCD			
<b>MEASUREMENTS</b>				
Measurement Input Resistor	< 2M Ω			
Accuracy	0.5% ± 1 Digit [(10% - 100%) x full scale]			
Burden (Input Load)	< 1 VA			
Measurement Period	1 - 600 s			
<b>Voltage</b>				
Measurement Range	+/- 200V			
<b>Supply</b>				
Operating Voltage	85 - 265 VAC/DC		10 - 56 VDC	
Power Consumption	< 4 VA			
Operating Frequency	50-60 Hz			
<b>STANDARDS</b>				
Applied Security Standards	EN 61010-1			
Applied EMC Standards	EN 60255			
Applied Mechanical Endurance Standards	EN 60529			
Device Protection Class	Double Insulated - Class II			
Terminal Protection Class	IP 00			
<b>AMBIENT CONDITIONS</b>				
Operating Temperature	-20 / +70°C			
Overvoltage Category	III			
<b>CONNECTIONS</b>				
Mounting	Panel mounting (PR 20)			
Monting Class	III			
Connection Terminals	PR 20 Screw with socket			
Connection Types	Single Phase, 2 Wires			
Cable Cross-section (For Terminals)	2,5 mm <sup>2</sup>			
<b>COMMUNICATION</b>				
Communication Interface / Protocol	-	Modbus RTU (RS-485) programmable	-	-
Parity	-	None, Odd, Even	-	-
Address	-	1-247	-	-
Transfer Speed	-	2400-38400 bps	-	-

## Connection Diagram



## Dimensions

