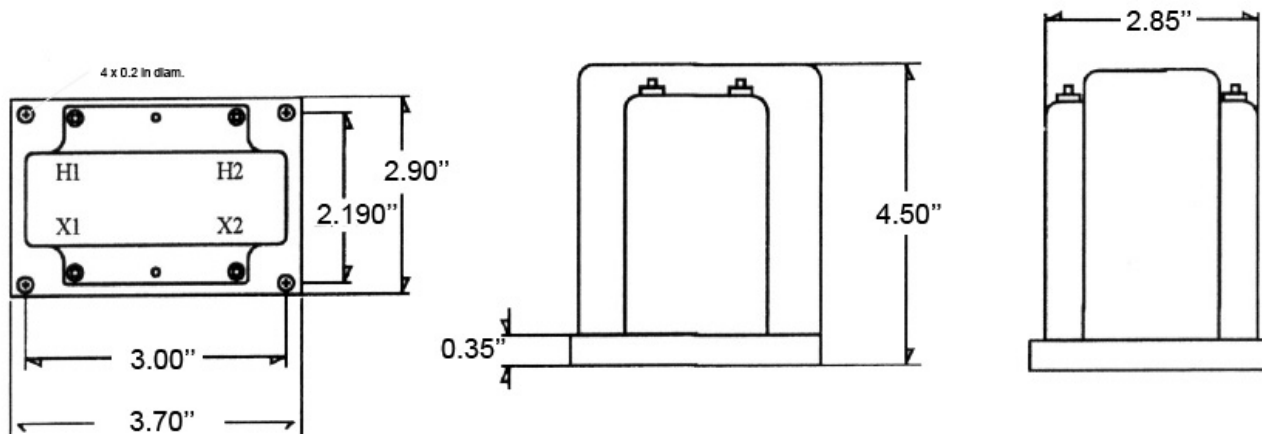


Wound Primary
Current Transformers

Application: Ammeters, Wattmeters and Relays.
Continuous Thermal Rating: 1.33 at 30 C. amb.;
1.0 at 55 C. amb. Average.

Insulation Class: 0.6 kV. BIL 10kV. full wave 50-400 Hz.
Fully encapsulated.

Standard 5 amp secondary, others available.



Model nbr.
WP5

To order, please complete the model number with the appropriate suffix.
eg. WP5-15

Catalogue nbr. Suffix	Current Ratio	VA for ±1% Class	ANSI Metering Class @ 60Hz			
			BO.1	BO.2	BO.5	BO.9
-1	1:5	12.5	0.3	0.3	0.6	1.2
-1.5	1.5:5	12.5	0.3	0.3	0.6	1.2
-2.5	2.5:5	12.5	0.3	0.3	0.6	1.2
-5	5:5	12.5	0.3	0.3	0.6	1.2
-7.5	7.5:5	12.5	0.3	0.3	0.6	1.2
-10	10:5	12.5	0.3	0.3	0.6	1.2
-15	15:5	12.5	0.3	0.3	0.6	1.2
-20	20:5	12.5	0.3	0.3	0.6	1.2
-25	25:5	12.5	0.3	0.3	0.6	1.2
-30	30:5	12.5	0.3	0.3	0.6	1.2

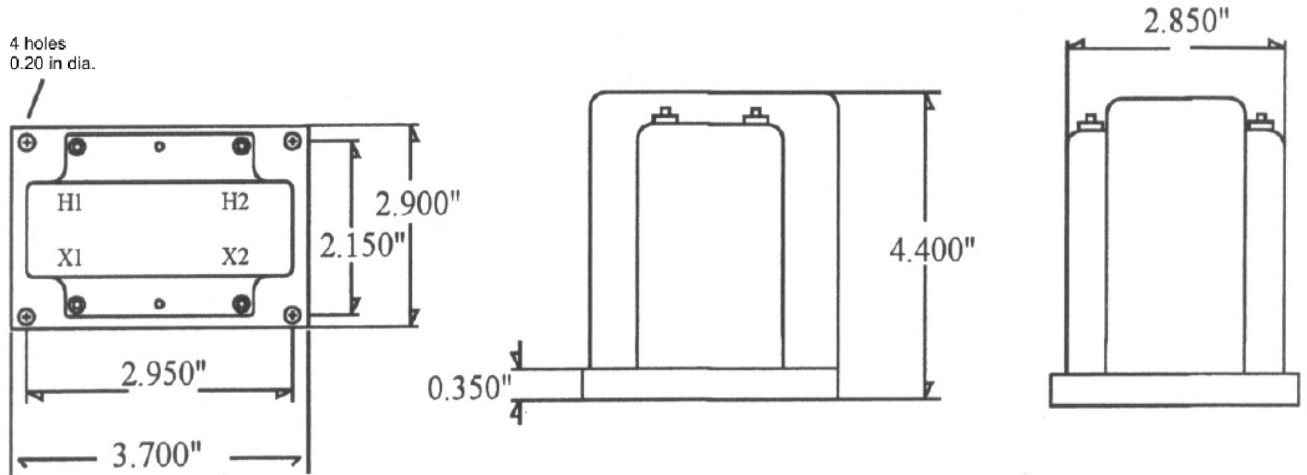
- ▶ Low ratio current transformers
- ▶ Terminals are brass No. 10-32 UNC.
- ▶ Approximate weight 1.5 lb.
- ▶ Additional ratios available.

Wound Primary
Current Transformers

Application: Ammeters, Wattmeters and Relays.
Continuous Thermal Rating: 1.33 at 30 C. amb.;
1.0 at 55 C. amb. Average.

Insulation Class: 0.6 kV. BIL 10kV. full wave 50-400 Hz.
Fully encapsulated.

Standard 5 amp secondary, others available.



Model nbr.
WP25

To order, please complete the model number with the appropriate suffix.
eg. WP25-15

Catalogue nbr. Suffix	Current Ratio	VA for ±1% Class	ANSI Metering Class @ 60Hz			
			BO.1	BO.2	BO.5	BO.9
-1	1:5	25.0	0.3	0.3	0.6	1.2
-1.5	1.5:5	25.0	0.3	0.3	0.6	1.2
-2.5	2.5:5	25.0	0.3	0.3	0.6	1.2
-5	5:5	25.0	0.3	0.3	0.6	1.2
-7.5	7.5:5	25.0	0.3	0.3	0.6	1.2
-10	10:5	25.0	0.3	0.3	0.6	1.2
-15	15:5	25.0	0.3	0.3	0.6	1.2
-20	20:5	25.0	0.3	0.3	0.6	1.2
-25	25:5	25.0	0.3	0.3	0.6	1.2
-30	30:5	25.0	0.3	0.3	0.6	1.2
-40	40:5	25.0	0.3	0.3	0.6	1.2
-50	50:5	25.0	0.3	0.3	0.6	1.2

- ▶ Low ratio current transformers
- ▶ Terminals are brass No. 10-32 UNC.
- ▶ Approximate weight 5 lb.
- ▶ Additional ratios available.