

Summation
Current Transformers

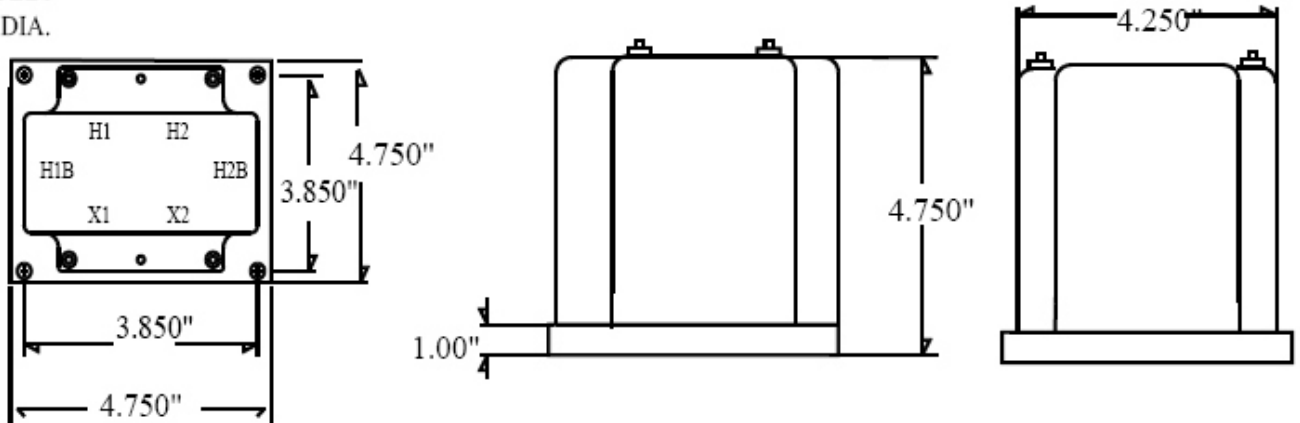
Accuracy Class: 0.3 @ B0.1 through B0.5 at 60Hz
Continuous Thermal Rating: 150VA at 30 C. amb.;
100VA at 55 C. amb.

Insulation Class: 0.6 kV. BIL 10kV. full wave.
Frequency: - 400Hz.
Fully encapsulated.

Standard 5 amp secondary, others available.



(4) HOLES
0.312 DIA.



- ▶ Model WP5S150-5+5:5 will add the two primaries and average them out which will be reflected on the secondary. eg. $4+3=3.5$
- ▶ Model WPS150-5+5:10 will add the two primaries and return the result on the secondary. ex. $4+3=7$
- ▶ Primary CTs can be of different ratios. ex 50:5 and 100:1
- ▶ Terminals are brass No. 10-32 UNC.
- ▶ Outdoor use requires optional boot.
- ▶ Approximate weight 8 lb.

- ▶ Since this CT is used in measuring the secondary of other transformers, no voltage rating is attributed. It is designed to operate in circuits not exceeding 600 volts to ground. During testing, it is subjected to a high pot of 2500 V / 60Hz.

Z201

Convert the 0-5 or 0-10 AAC to:

- 0-20mAdc or
- 4-20mAdc or
- 0-1Vdc or
- 0-5Vdc
- or 0-10vdc
- Provides 3 way galvanic isolation between power supply, input and output.

