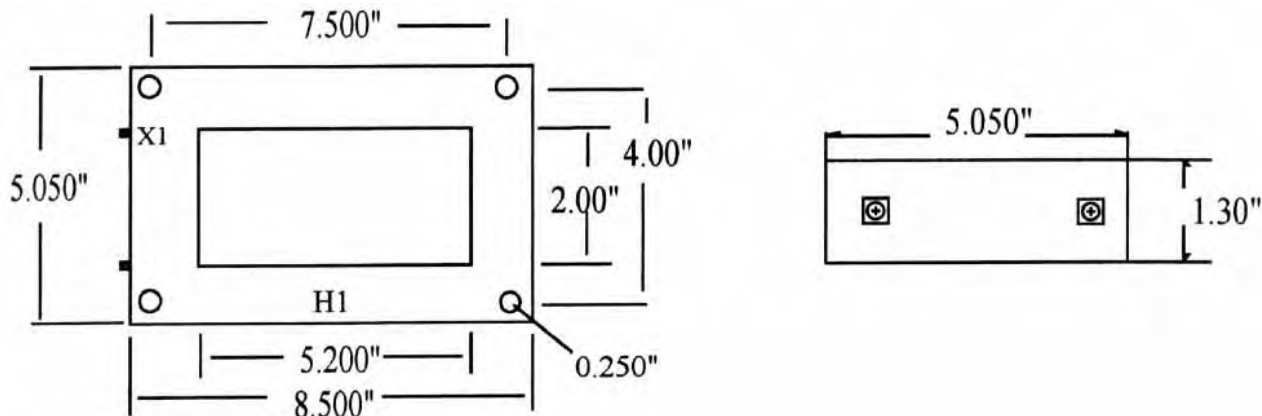


Rectangular Current Transformers

Window Size: 2.0" x 5.2"
 Continuous Thermal Rating: 1.33 at 30 C. amb.;
 1.0 at 55 C. amb. Average.

Application: Ammeters and Wattmeters and Relays.
 Insulation Class: 0.6 kV. BIL 10kV. full wave 50-400 Hz.
 Fully encapsulated.

Standard 5 amp secondary, others available.



Model nbr.
RT2052

To order, please complete the model number with the appropriate suffix.
 eg. RT2052-600

- ▶ 2400:5 and greater: Rf = 1 @ 30°C amb.
- ▶ 3500:5 Rf = 0.8 @ 30°C amb.
- ▶ 4000:5 Rf = 0.6 @ 30°C amb.
- ▶ Terminals are brass No. 10-32 UNC.
- ▶ Approximate weight 5.0 lb.
- ▶ Additional ratios available.

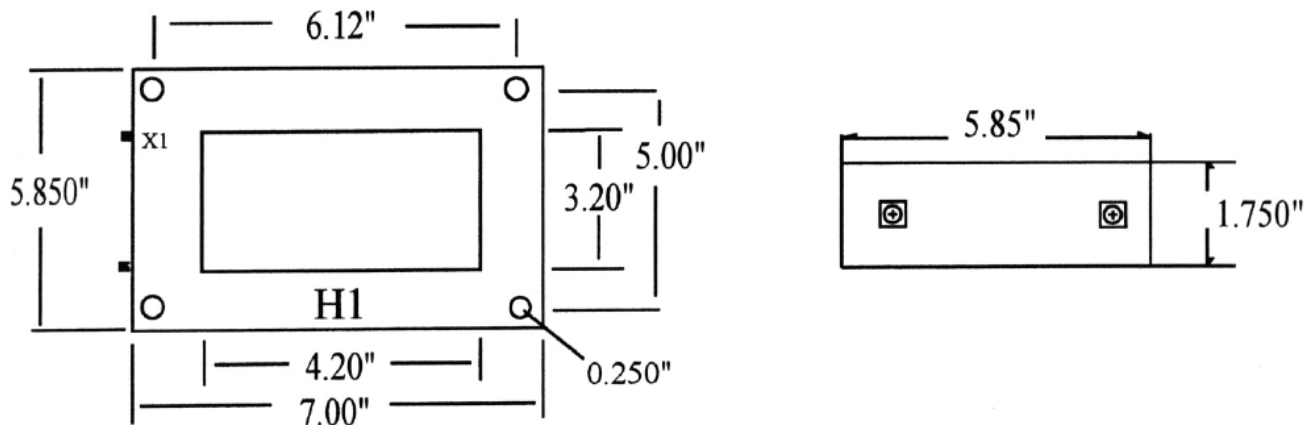
Catalogue nbr. Suffix	Current Ratio	VA for ±1% Class	ANSI Metering Class @ 60Hz				
			BO.1	BO.2	BO.5	BO.9	B1.8
-300	300:5	15	1.2	1.2	1.2	2.4	-
-400	400:5	25	0.6	1.2	2.4	2.4	-
-500	500:5	35	0.6	0.6	1.2	2.4	-
-600	600:5	50	0.6	0.6	1.2	1.2	2.4
-750	750:5	50	0.3	0.6	0.6	1.2	2.4
-800	800:5	60	0.3	0.6	0.6	1.2	1.2
-1000	1000:5	75	0.3	0.3	0.6	0.6	1.2
-1200	1200:5	75	0.3	0.3	0.3	0.6	0.6
-1500	1500:5	90	0.3	0.3	0.3	0.6	0.6
-1600	1600:5	100	0.3	0.3	0.3	0.6	0.6
-2000	2000:5	100	0.3	0.3	0.3	0.3	0.6
-2500	2500:5	100	0.3	0.3	0.3	0.3	0.3
-3000	3000:5	120	0.3	0.3	0.3	0.3	0.3
-3500	3500:5	120	0.3	0.3	0.3	0.3	0.3
-4000	4000:5	120	0.3	0.3	0.3	0.3	0.3

Rectangular Current Transformers

Window Size: 3.2" x 4.2"
 Continuous Thermal Rating: 1.33 at 30 C. amb.;
 1.0 at 55 C. amb. Average.

Application: Ammeters and Wattmeters and Relays.
 Insulation Class: 0.6 kV. BIL 10kV. full wave 50-400 Hz.
 Fully encapsulated.

Standard 5 amp secondary, others available.



Model nbr.
RT3242

To order, please complete the model number with the appropriate suffix.
 eg. RT3242-600

- ▶ 2400:5 and greater: Rf = 1 @ 30°C amb.
- ▶ 3500:5 Rf = 0.8 @ 30°C amb.
- ▶ 4000:5 Rf = 0.6 @ 30°C amb.
- ▶ Terminals are brass No. 10-32 UNC.
- ▶ Approximate weight 6.5 lb.
- ▶ Additional ratios available.

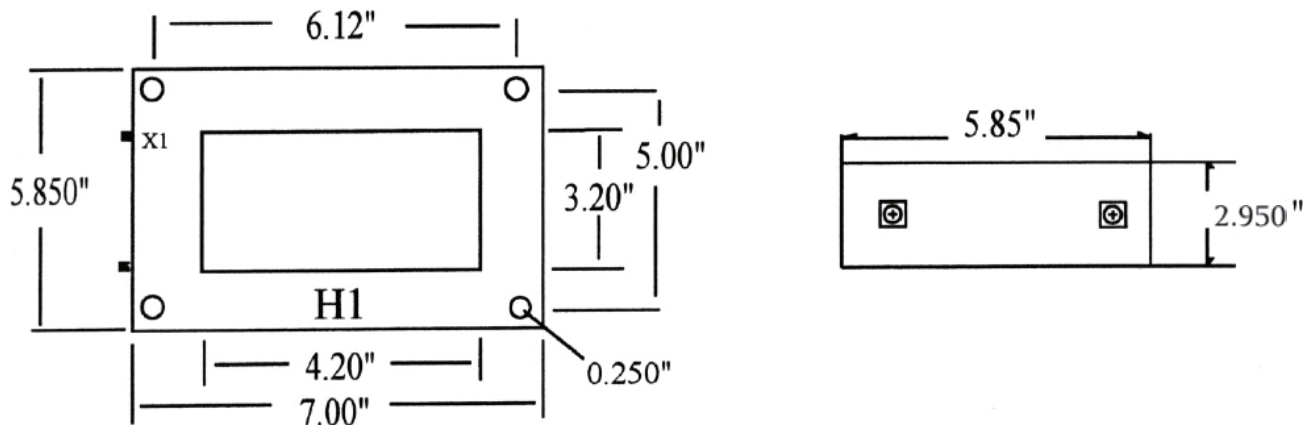
Catalogue nbr. Suffix	Current Ratio	VA for ±1% Class	ANSI Metering Class @ 60Hz				
			BO.1	BO.2	BO.5	BO.9	B1.8
-300	300:5	20	0.6	0.6	1.2	2.4	-
-400	400:5	30	0.6	0.6	1.2	2.4	-
-500	500:5	40	0.3	0.3	0.6	1.2	2.4
-600	600:5	55	0.3	0.3	0.6	1.2	2.4
-750	750:5	55	0.3	0.3	0.3	0.6	1.2
-800	800:5	65	0.3	0.3	0.3	0.6	0.6
-1000	1000:5	80	0.3	0.3	0.3	0.6	0.6
-1200	1200:5	80	0.3	0.3	0.3	0.3	0.6
-1500	1500:5	100	0.3	0.3	0.3	0.3	0.6
-1600	1600:5	100	0.3	0.3	0.3	0.3	0.6
-2000	2000:5	120	0.3	0.3	0.3	0.3	0.6
-2500	2500:5	125	0.3	0.3	0.3	0.3	0.3
-3000	3000:5	130	0.3	0.3	0.3	0.3	0.3
-3500	3500:5	130	0.3	0.3	0.3	0.3	0.3
-4000	4000:5	130	0.3	0.3	0.3	0.3	0.3

Rectangular Current Transformers

Window Size: 3.2" x 4.2"
Continuous Thermal Rating: 1.33 at 30 C. amb.;
1.0 at 55 C. amb. Average.

Application: Ammeters and Wattmeters and Relays.
Insulation Class: 0.6 kV. BIL 10kV. full wave 50-400 Hz.
Fully encapsulated.

Standard 5 amp secondary, others available.



Model nbr.
RT32423

To order, please complete the model number with the appropriate suffix.
eg. RT32423-600

- ▶ 2400:5 and greater: Rf = 1 @ 30°C amb.
- ▶ 3500:5 Rf = 0.8 @ 30°C amb.
- ▶ 4000:5 Rf = 0.6 @ 30°C amb.
- ▶ Terminals are brass No. 10-32 UNC.
- ▶ Approximate weight 8 lb.
- ▶ Additional ratios available.

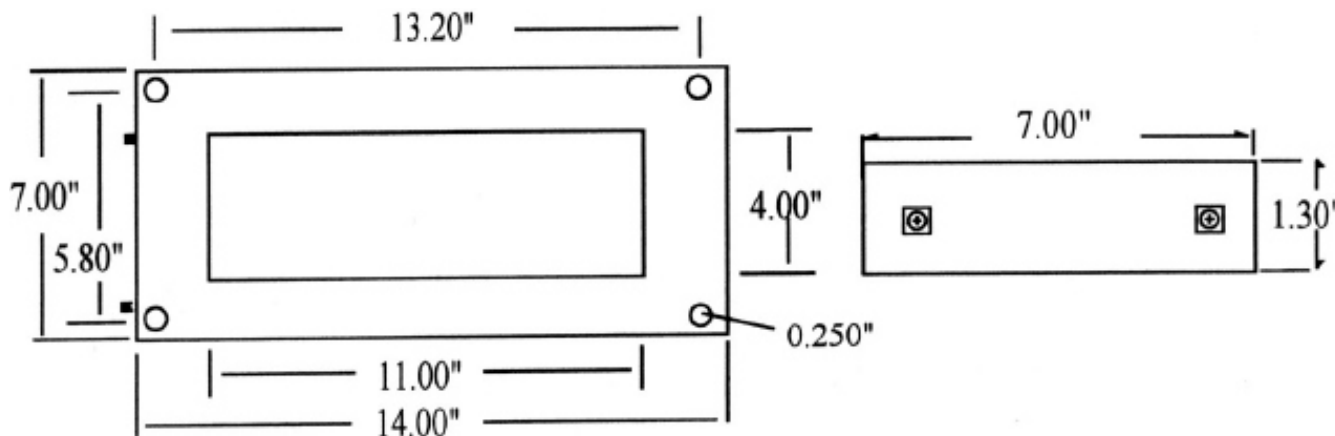
Catalogue nbr. Suffix	Current Ratio	Relay Class	ANSI Metering Class @ 60Hz				
			BO.1	BO.2	BO.5	BO.9	B1.8
-300	300:5	C10	0.3	0.6	1.2	1.2	2.4
-400	400:5	C15	0.3	0.3	0.6	1.2	1.2
-500	500:5	C15	0.3	0.3	0.3	0.6	0.6
-600	600:5	C20	0.3	0.3	0.3	0.3	0.6
-750	750:5	C20	0.3	0.3	0.3	0.3	0.6
-800	800:5	C30	0.3	0.3	0.3	0.3	0.6
-1000	1000:5	C40	0.3	0.3	0.3	0.3	0.3
-1200	1200:5	C40	0.3	0.3	0.3	0.3	0.3
-1500	1500:5	C50	0.3	0.3	0.3	0.3	0.3
-1600	1600:5	C50	0.3	0.3	0.3	0.3	0.3
-2000	2000:5	C50	0.3	0.3	0.3	0.3	0.3
-2500	2500:5	C70	0.3	0.3	0.3	0.3	0.3
-3000	3000:5	C100	0.3	0.3	0.3	0.3	0.3
-3500	3500:5	C100	0.3	0.3	0.3	0.3	0.3
-4000	4000:5	C100	0.3	0.3	0.3	0.3	0.3

Rectangular Current Transformers

Window Size: 4.0" x 11.0"
Continuous Thermal Rating: 1.33 at 30 C. amb.;
1.0 at 55 C. amb. Average.

Application: Ammeters and Wattmeters and Relays.
Insulation Class: 0.6 kV. BIL 10kV. full wave 50-400 Hz.
Fully encapsulated.

Standard 5 amp secondary, others available.



Model nbr.
RT4011

To order, please complete the model number with the appropriate suffix.
eg. RT4011-600

Catalogue nbr. Suffix	Current Ratio	VA for $\pm 1\%$ Class	ANSI Metering Class @ 60Hz				
			BO.1	BO.2	BO.5	BO.9	B1.8
-300	300:5	5.0	2.4	-	-	-	-
-400	400:5	5.0	2.4	4.8	-	-	-
-500	500:5	7.0	1.2	2.4	4.8	-	-
-600	600:5	10	1.2	1.2	2.4	4.8	-
-750	750:5	15	0.6	1.2	1.2	2.4	4.8
-800	800:5	20	0.6	0.6	1.2	1.2	2.4
-1000	1000:5	25	0.3	0.3	0.6	0.6	1.2
-1200	1200:5	25	0.3	0.3	0.6	0.6	1.2
-1500	1500:5	30	0.3	0.3	0.3	0.6	0.6
-1600	1600:5	30	0.3	0.3	0.3	0.6	0.6
-2000	2000:5	35	0.3	0.3	0.3	0.6	0.6
-2500	2500:5	35	0.3	0.3	0.3	0.3	0.6
-3000	3000:5	40	0.3	0.3	0.3	0.3	0.6
-3500	3500:5	40	0.3	0.3	0.3	0.3	0.6
-4000	4000:5	50	0.3	0.3	0.3	0.3	0.6
-5000	5000:5	50	0.3	0.3	0.3	0.3	0.6

- ▶ 2500:5 and greater: $R_f = 1 @ 30^\circ\text{C amb.}$
- ▶ Terminals are brass No. 10-32 UNC.
- ▶ Approximate weight 7.0 lb.
- ▶ Additional ratios available.